

Accessories Heater Kits

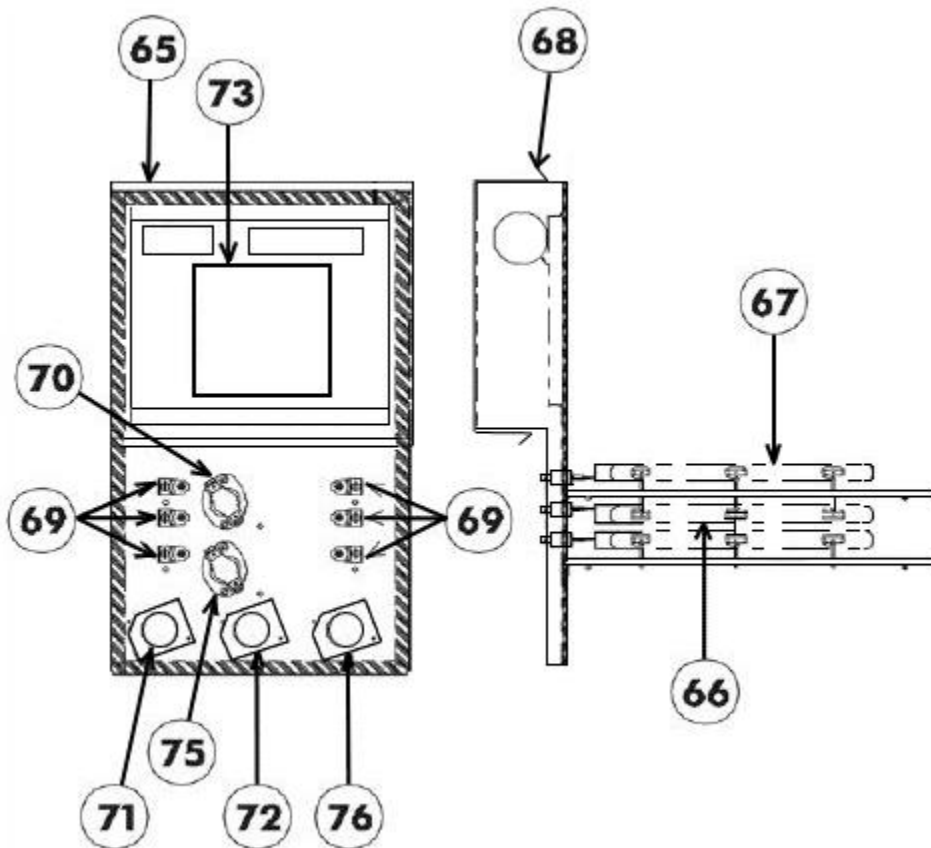


RXQJ-A03J

Parts List
01-June-2022

*This parts list is current as of the above revision date.
See <http://www.rheempartslists.net/92-42805-RXQJ-A03J.pdf> for the current revision.*

| No. | Notes | Part Description | Part No. |
|-----|-------|--|-------------|
| | | FOR UNITS WITH SERIAL NUMBER BEGINNING WITH PB OR PC, Before Date Code 1015: | |
| 65 | | Base Plate | AE-25261-01 |
| 66 | | Heater Assembly | 44-25261-05 |
| 68 | | Cover | AE-25261-09 |
| 69 | | Terminal Block, Ceramic (2) | 45-25261-10 |
| 70 | | Thermostat | 47-25261-11 |
| 72 | | Time Delay Relay | 42-25261-17 |
| 73 | | Hi-Voltage Terminal Block | 45-25261-20 |
| | | Mounting Plate | AE-25261-28 |
| | | FOR UNITS WITH SERIAL NUMBER BEGINNING WITH PB OR PC, On or After Date Code 1015: | |
| 65 | | Base Plate | AE-25261-01 |
| 66 | | Heater Assembly | 44-25261-05 |
| 68 | | Cover | AE-25261-09 |
| 69 | | Terminal Block, Ceramic (2) | 45-25261-10 |
| 70 | | Thermostat | 47-25261-11 |
| 72 | | Time Delay Relay | PD425120 |
| 73 | | Hi-Voltage Terminal Block | 45-25261-20 |
| | | Mounting Plate | AE-25261-28 |



Drawing of RXQJ A03J