

Accessories Heater Kits

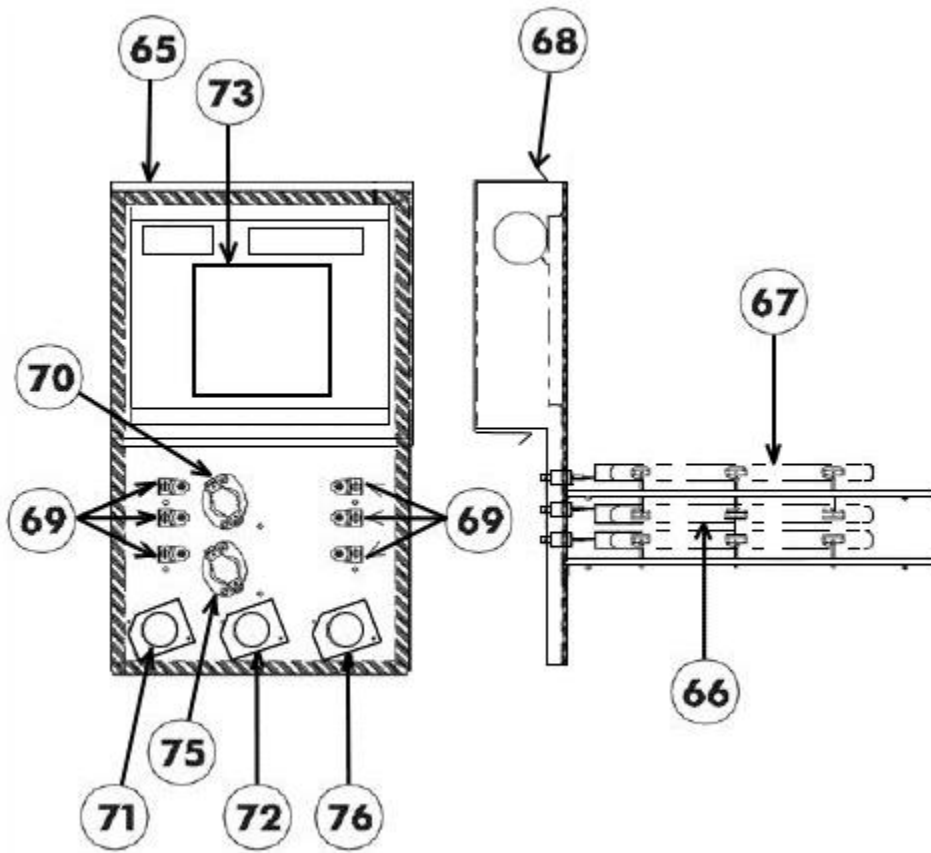


RXQJ-A05J

Parts List
01-June-2022

*This parts list is current as of the above revision date.
See <http://www.rheempartslists.net/92-42805-RXQJ-A05J.pdf> for the current revision.*

No.	Notes	Part Description	Part No.
		FOR UNITS WITH SERIAL NUMBER BEGINNING WITH PB OR PC, Before Date Code 1015:	
65		Base Plate	AE-25261-01
66		Heater Assembly	44-25261-05
68		Cover	AE-25261-09
69		Terminal Block - Ceramic (2)	45-25261-10
70		Thermostat	47-25261-12
72		Time Delay Relay	42-25261-17
73		Hi-Voltage Terminal Block	45-25261-20
		FOR UNITS WITH SERIAL NUMBER BEGINNING WITH PB OR PC, On or After Date Code 1015:	
65		Base Plate	AE-25261-01
66		Heater Assembly	44-25261-05
68		Cover	AE-25261-09
69		Terminal Block, Ceramic (2)	45-25261-10
70		Thermostat	47-25261-11
72		Time Delay Relay	PD425120
73		Hi-Voltage Terminal Block	45-25261-20
		FOR UNITS WITH SERIAL NUMBER BEGINNING WITH PN:	
		Relay/Sequencer (2-Pole)	PD425078
		Limit Control	PD470040
		Terminal Block - Ceramic	PD455184
		Heater Frame Coil Assembly	Not Available
		Wiring Harness - 4 Wires	PD455224



Drawing of RXQJ A05J