

## Accessories Heater Kits

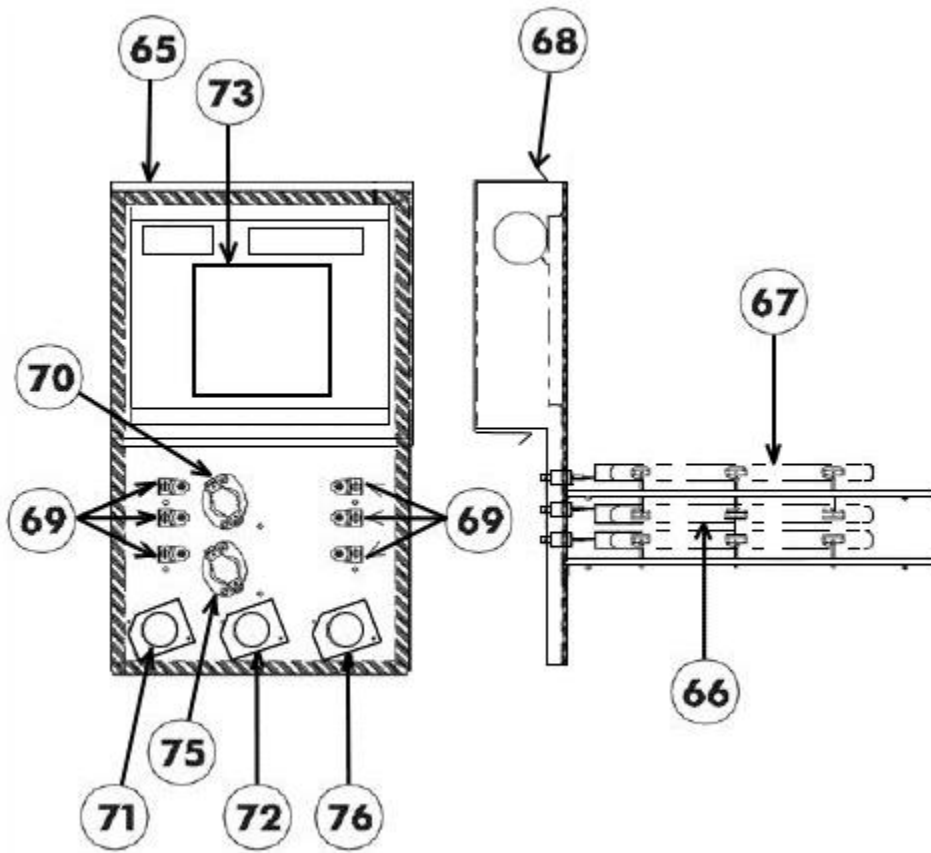


# RXQJ-A08J

Parts List  
01-June-2022

*This parts list is current as of the above revision date.  
See <http://www.rheempartslists.net/92-42805-RXQJ-A08J.pdf> for the current revision.*

No.	Notes	Part Description	Part No.
		<b>FOR UNITS WITH SERIAL NUMBER BEGINNING WITH PB OR PC, Before Date Code 1015:</b>	
65		Base Plate	AE-25261-02
66		Heater Assembly	44-25261-07
68		Cover	AE-25261-09
69		Terminal Block - Ceramic (4)	45-25261-10
70		Thermostat	47-25261-13
71		Time Delay Relay	42-25261-17
76		Time Delay Relay	42-25261-18
73		Hi-Voltage Terminal Block	45-25261-20
		<b>FOR UNITS WITH SERIAL NUMBER BEGINNING WITH PB OR PC, On or After Date Code 1015:</b>	
65		Base Plate	AE-25261-02
66		Heater Assembly	44-25261-07
68		Cover	AE-25261-09
69		Terminal Block - Ceramic (4)	45-25261-10
70		Thermostat	47-25261-13
71		Time Delay Relay	PD425120
76		Time Delay Relay	PD425118
73		Hi-Voltage Terminal Block	45-25261-20



Drawing of RXQJ A08J