

## Accessories Heater Kits

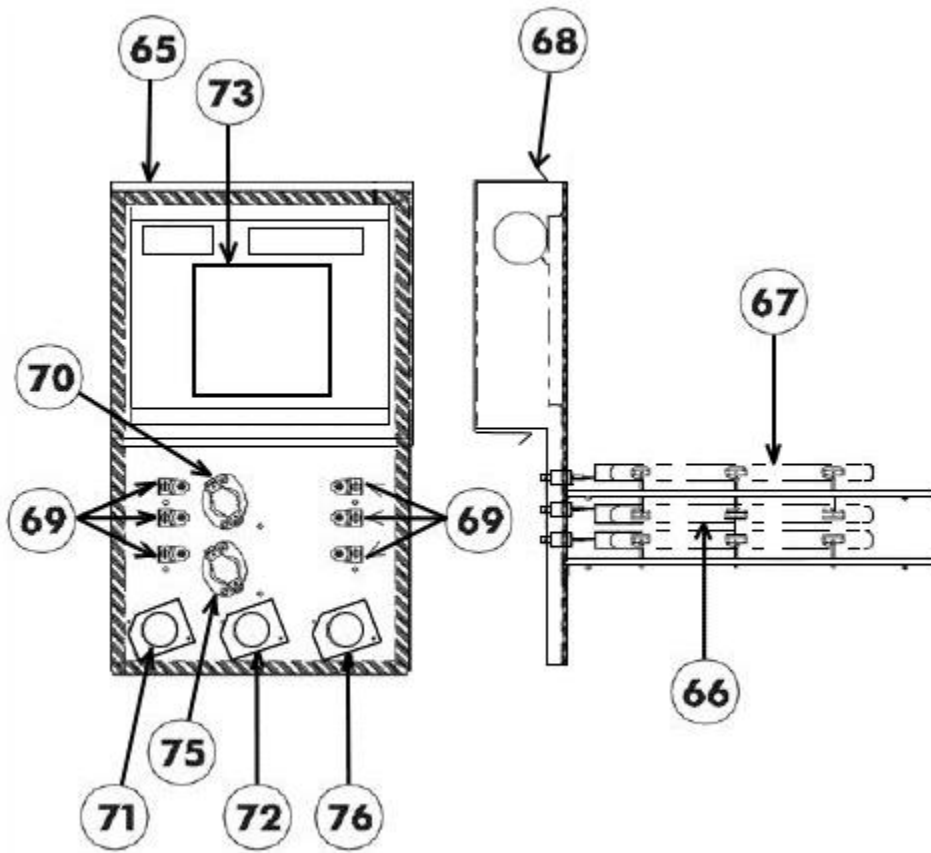


# RXQJ-A10C

Parts List  
01-June-2022

*This parts list is current as of the above revision date.  
See <http://www.rheempartslists.net/92-42805-RXQJ-A10C.pdf> for the current revision.*

No.	Notes	Part Description	Part No.
		<b>FOR UNITS WITH SERIAL NUMBER BEGINNING WITH PB OR PC, Before Date Code 1015:</b>	
65		Base Plate	955226
66		Heater Assembly	442043
67		Heater Assembly	PD442044
68		Cover	AE-25261-09
69		Terminal Block, Ceramic (6)	455133
70		Thermostat	47-25261-15
71		Time Delay Relay	42-25261-17
72		Time Delay Relay	42-25261-17
73		Terminal Block	455131
75		Thermostat	42-25261-16
76		Time Delay Relay	42-25261-19
		<b>FOR UNITS WITH SERIAL NUMBER BEGINNING WITH PB OR PC, On or After Date Code 1015:</b>	
65		Base Plate	955226
66		Heater Assembly	442043
67		Heater Assembly	PD442044
68		Cover	AE-25261-09
69		Terminal Block, Ceramic (6)	455133
70		Thermostat	47-25261-15
71		Time Delay Relay	PD425120
72		Time Delay Relay	PD425120
73		Terminal Block	455131
75		Thermostat	42-25261-16
76		Time Delay Relay	PD425125
		<b>FOR UNITS WITH SERIAL NUMBER BEGINNING WITH PN:</b>	
		Relay/Sequencer (2-Pole) (2)	PD425078
		Relay/Sequencer (2-Pole)	425079
		Terminal Block	PD455227
		Limit Control (3)	PD470040
		Wiring Harness - 5 Wires	PD455226



Drawing of RXQJ A10C