

Accessories Heater Kits

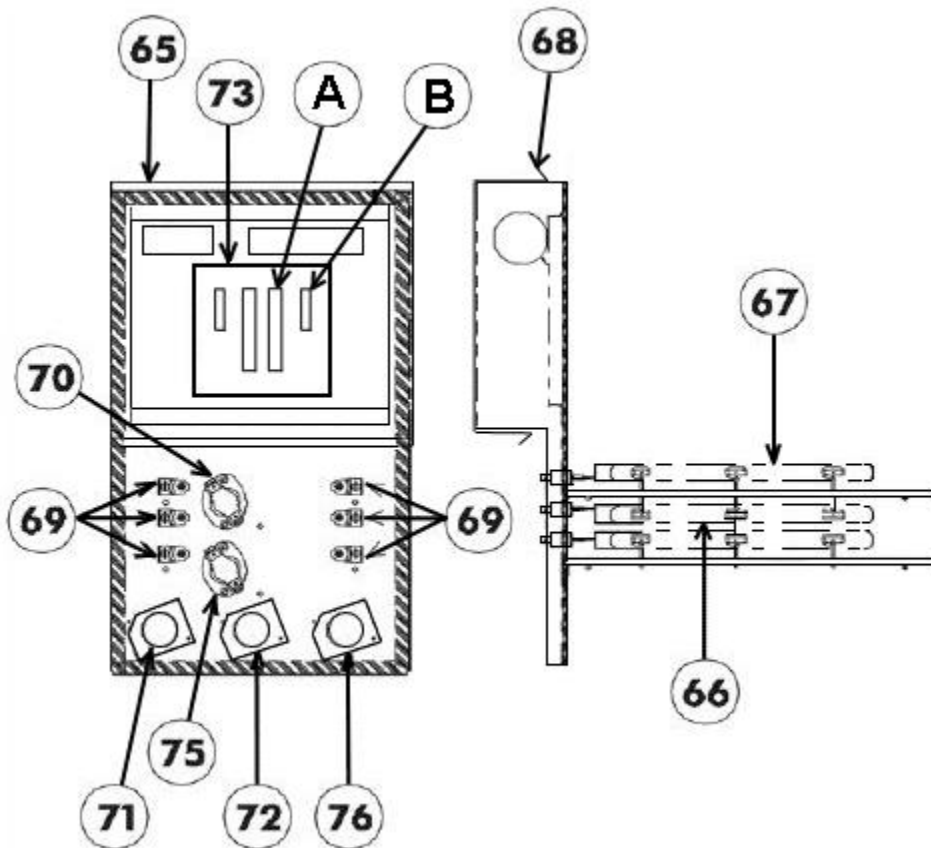


RXQJ-A11J

Parts List
01-June-2022

*This parts list is current as of the above revision date.
See <http://www.rheempartslists.net/92-42805-RXQJ-A11J.pdf> for the current revision.*

No.	Notes	Part Description	Part No.
		FOR UNITS WITH SERIAL NUMBER BEGINNING WITH PB OR PC, Before Date Code 1015:	
65		Base Plate	AE-25261-02
66		Heater Assembly	44-25261-08
68		Cover	AE-25261-09
69		Terminal Block - Ceramic (4)	45-25261-10
70		Thermostat	47-25261-14
71		Time Delay Relay	42-25261-17
76		Time Delay Relay	42-25261-18
73		Fuse Block	45-25261-21
A		Fuse ("P" type) (2)	44-25261-24
B		Time Delay Fuse (2)	44-25261-27
		FOR UNITS WITH SERIAL NUMBER BEGINNING WITH PB OR PC, On or After Date Code 1015:	
65		Base Plate	AE-25261-02
66		Heater Assembly	44-25261-08
68		Cover	AE-25261-09
69		Terminal Block - Ceramic (4)	45-25261-10
70		Thermostat	47-25261-14
71		Time Delay Relay	PD425120
76		Time Delay Relay	PD425118
73		Fuse Block	45-25261-21
A		Fuse ("P" type) (2)	44-25261-24
B		Time Delay Fuse (2)	44-25261-27



Drawing of RXQJ A11J