

Accessories Heater Kits

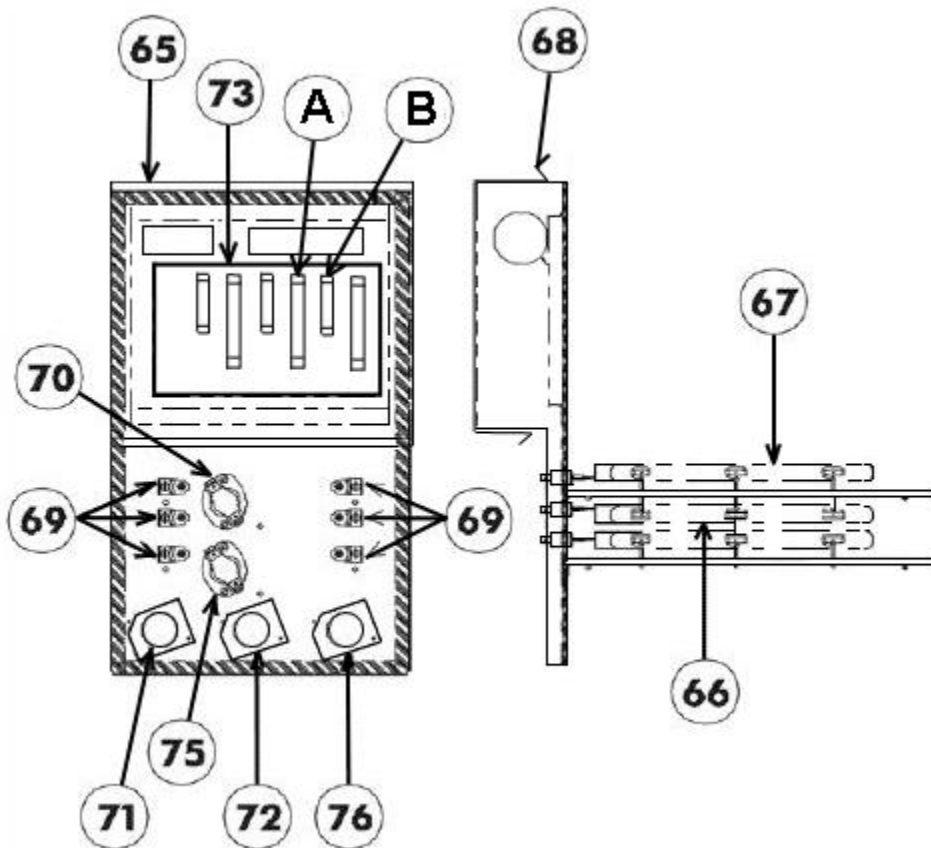


RXQJ-A15C

Parts List
01-June-2022

*This parts list is current as of the above revision date.
See <http://www.rheempartslists.net/92-42805-RXQJ-A15C.pdf> for the current revision.*

No.	Notes	Part Description	Part No.
		FOR UNITS WITH SERIAL NUMBER BEGINNING WITH PB OR PC, Before Date Code 1015:	
65		Base Plate	955226
66		Heater Assembly	N/A
67		Heater Assembly	44-25266-15
68		Cover	AE-25261-09
69		Terminal Block - Ceramic (6)	455133
70		Thermostat	47-25261-15
71		Time Delay Relay	425072
72		Time Delay Relay	425072
73		Fuse Block	455130
75		Thermostat	47-25261-16
76		Time Delay Relay	47-25261-19
A		Fuse (3)	442045
B		Time Delay Fuse (3)	442042
		FOR UNITS WITH SERIAL NUMBER BEGINNING WITH PB OR PC, On or After Date Code 1015:	
65		Base Plate	AE-25261-03
66		Heater Assembly	N/A
67		Heater Assembly	44-25266-15
68		Cover	AE-25261-09
69		Terminal Block - Ceramic (6)	455133
70		Thermostat	PD425120
71		Time Delay Relay	425072
72		Time Delay Relay	425072
73		Fuse Block	455130
75		Thermostat	PD425125
76		Time Delay Relay	47-25261-19
A		Fuse (3)	442045
B		Time Delay Fuse (3)	442042
		FOR UNITS WITH SERIAL NUMBER BEGINNING WITH PN:	
		Relay/Sequencer (2-Pole) (2)	PD425078
		Relay/Sequencer (2-Pole)	425079
		Terminal Block	PD455227
		Limit Control (3)	PD470040
		Circuit Breaker (35A) - 3 Pole	425094
		Circuit Breaker (45A) - 3 Pole	425099
		Wiring Harness - 5 Wires	PD455226



Drawing of RXQJ A15C