

## Accessories Heater Kits

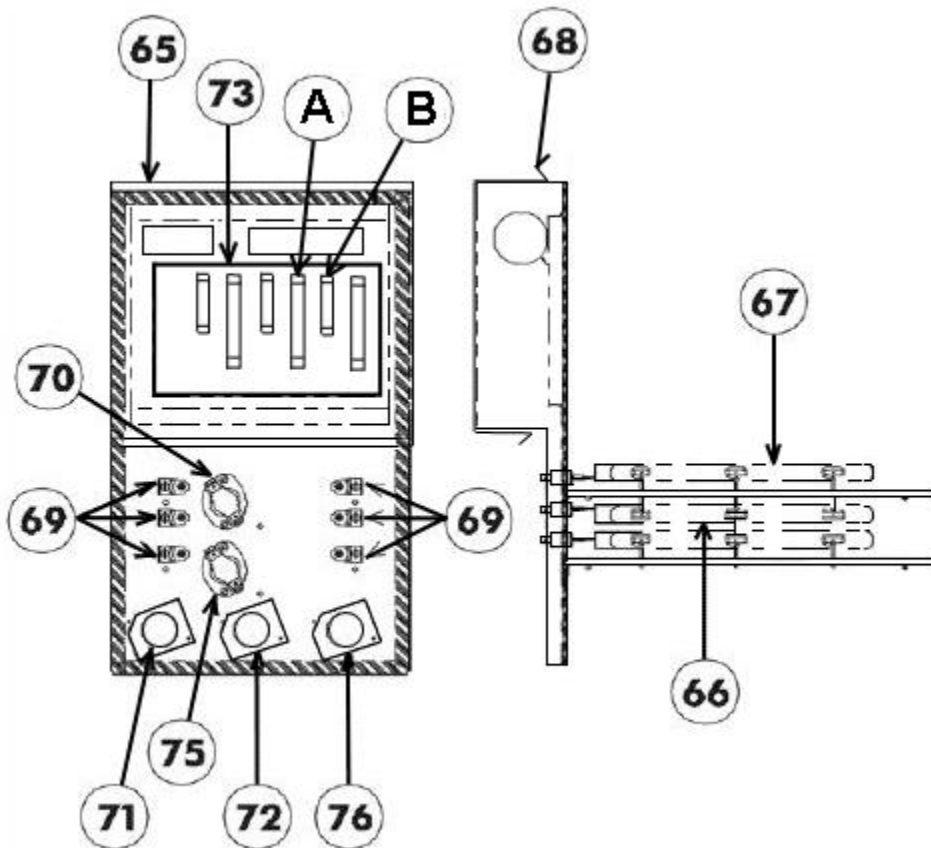


# RXQJ-A16C

Parts List  
01-June-2022

*This parts list is current as of the above revision date.  
See <http://www.rheempartslists.net/92-42805-RXQJ-A16C.pdf> for the current revision.*

No.	Notes	Part Description	Part No.
		<b>FOR UNITS WITH SERIAL NUMBER BEGINNING WITH PB OR PC, Before Date Code 1015:</b>	
65		Base Plate	955226
66		Heater Assembly	N/A
67		Heater Assembly	44-25266-15
68		Cover	AE-25261-09
69		Terminal Block - Ceramic (6)	455133
70		Thermostat	47-25261-15
71		Time Delay Relay	425072
72		Time Delay Relay	425072
73		Fuse Block	455130
75		Thermostat	47-25261-16
76		Time Delay Relay	47-25261-19
A		Fuse (3)	PD447383
B		Time Delay Fuse (3)	442042
		<b>FOR UNITS WITH SERIAL NUMBER BEGINNING WITH PB OR PC, On or After Date Code 1015:</b>	
65		Base Plate	AE-25261-03
66		Heater Assembly	N/A
67		Heater Assembly	44-25266-15
68		Cover	N/A
69		Terminal Block - Ceramic (6)	455133
70		Thermostat	PD425120
71		Time Delay Relay	425072
72		Time Delay Relay	425072
73		Fuse Block	455130
75		Thermostat	PD425125
76		Time Delay Relay	47-25261-19
A		Fuse (3)	PD447383
B		Time Delay Fuse (3)	442042



Drawing of RXQJ A16C