

## Accessories Heater Kits

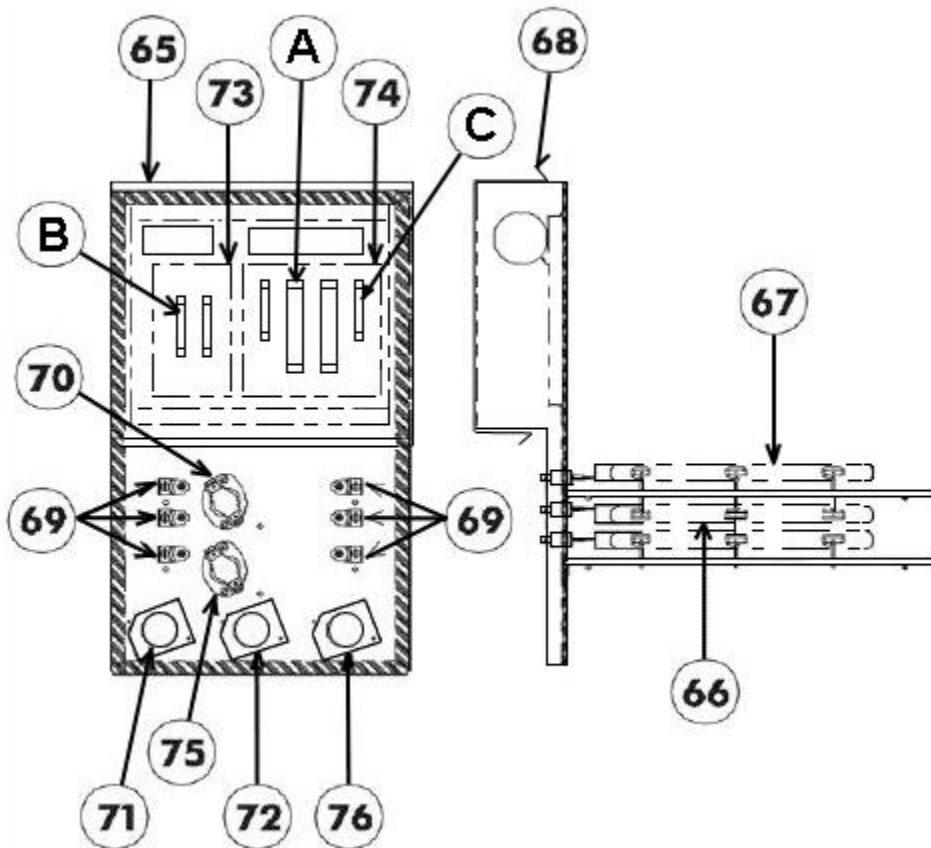


# RXQJ-A16J

Parts List  
01-June-2022

*This parts list is current as of the above revision date.  
See <http://www.rheempartslists.net/92-42805-RXQJ-A16J.pdf> for the current revision.*

No.	Notes	Part Description	Part No.
		<b>FOR UNITS WITH SERIAL NUMBER BEGINNING WITH PB OR PC, Before Date Code 1015:</b>	
65		Base Plate	N/A
66		Heater Assembly	44-25261-05
67		Heater Assembly	44-25266-14
68		Cover	AE-25261-09
69		Terminal Block - Ceramic	455133
70		Thermostat	47-25261-15
71		Time Delay Relay	42-25261-17
72		Time Delay Relay	42-25261-17
73		Fuse Block	45-25261-22
74		Fuse Block	45-25261-21
75		Thermostat	47-25261-16
76		Time Delay Relay	42-25261-19
A		Fuse ("P" type) (2)	PD447383
B		Time Delay Fuse (2)	442042
C		Fuse ("P" type) (2)	PD447382
		<b>FOR UNITS WITH SERIAL NUMBER BEGINNING WITH PB OR PC, On or After Date Code 1015:</b>	
65		Base Plate	N/A
66		Heater Assembly	44-25261-05
67		Heater Assembly	44-25266-14
68		Cover	AE-25261-09
69		Terminal Block - Ceramic	455133
70		Thermostat	47-25261-15
71		Time Delay Relay	PD425120
72		Time Delay Relay	PD425120
73		Fuse Block	45-25261-22
74		Fuse Block	45-25261-21
75		Thermostat	47-25261-16
76		Time Delay Relay	PD425125
A		Fuse ("P" type) (2)	PD447383
B		Time Delay Fuse (2)	442042
C		Fuse ("P" type) (2)	Call



Drawing of RXQJ A16J