

Accessories Heater Kits

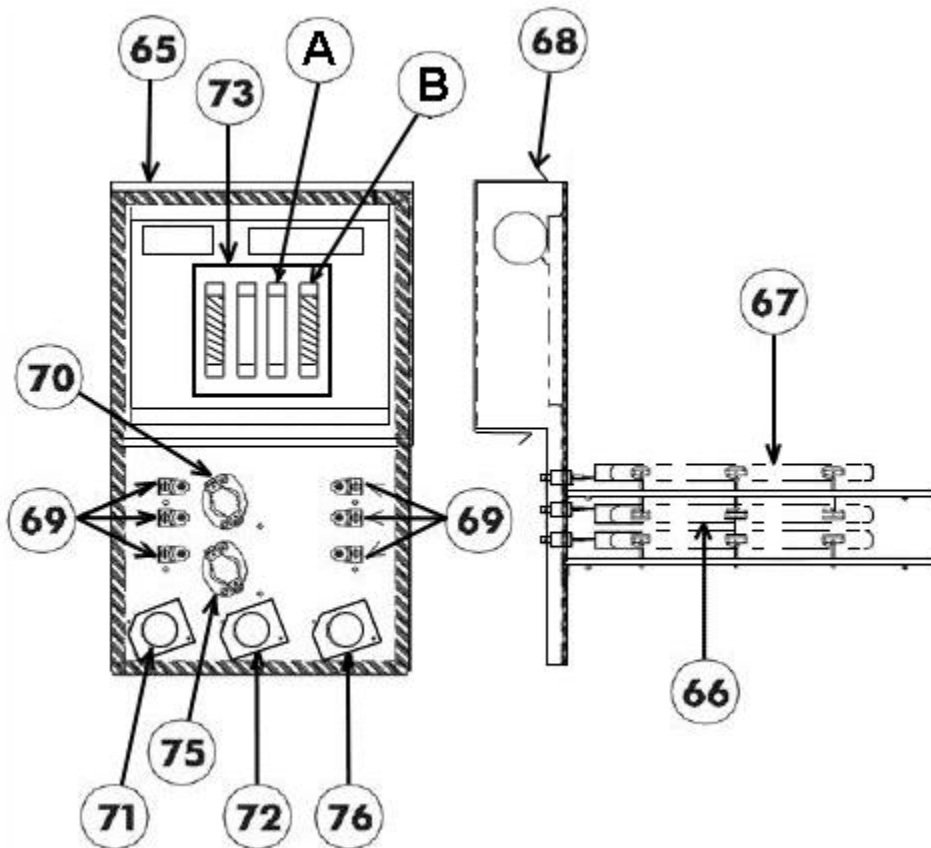


RXQJ-B10J

Parts List
01-June-2022

*This parts list is current as of the above revision date.
See <http://www.rheempartslists.net/92-42805-RXQJ-B10J.pdf> for the current revision.*

No.	Notes	Part Description	Part No.
		FOR UNITS WITH SERIAL NUMBER BEGINNING WITH PB OR PC, Before Date Code 1015:	
65		Base Plate	N/A
66		Heater Assembly	44-25266-14
68		Cover	AE-25261-09
69		Terminal Block, Ceramic (4)	455133
70		Thermostat	47-25261-13
71		Time Delay Relay	42-25261-17
73		Fuse Block	45-25261-41
76		Time Delay Relay	42-25261-18
A		Fuse (2)	442045
B		Time Delay Fuse (2)	44-25261-36
		FOR UNITS WITH SERIAL NUMBER BEGINNING WITH PB OR PC, On or After Date Code 1015:	
65		Base Plate	N/A
66		Heater Assembly	44-25266-14
68		Cover	AE-25261-09
69		Terminal Block, Ceramic (4)	455133
70		Thermostat	47-25261-13
71		Time Delay Relay	PD425120
73		Fuse Block	45-25261-41
76		Time Delay Relay	PD425119
A		Fuse (2)	442045
B		Time Delay Fuse (2)	44-25261-36
		FOR UNITS WITH SERIAL NUMBER BEGINNING WITH PN:	
		Relay/Sequencer (2-Pole) (2)	PD425078
		Relay/Sequencer (1-Pole)	425077
		Limit Control (2)	PD470040
		Circuit Breaker (60A) - 2 Pole (2)	425097
		Jumper Bar - 4 Pole	PD455223
		Heater Frame Coil Assembly	Not Available
		Wiring Harness - 4 Wires	PD455224



Drawing of RXQJ B10J