

Accessories Heater Kits



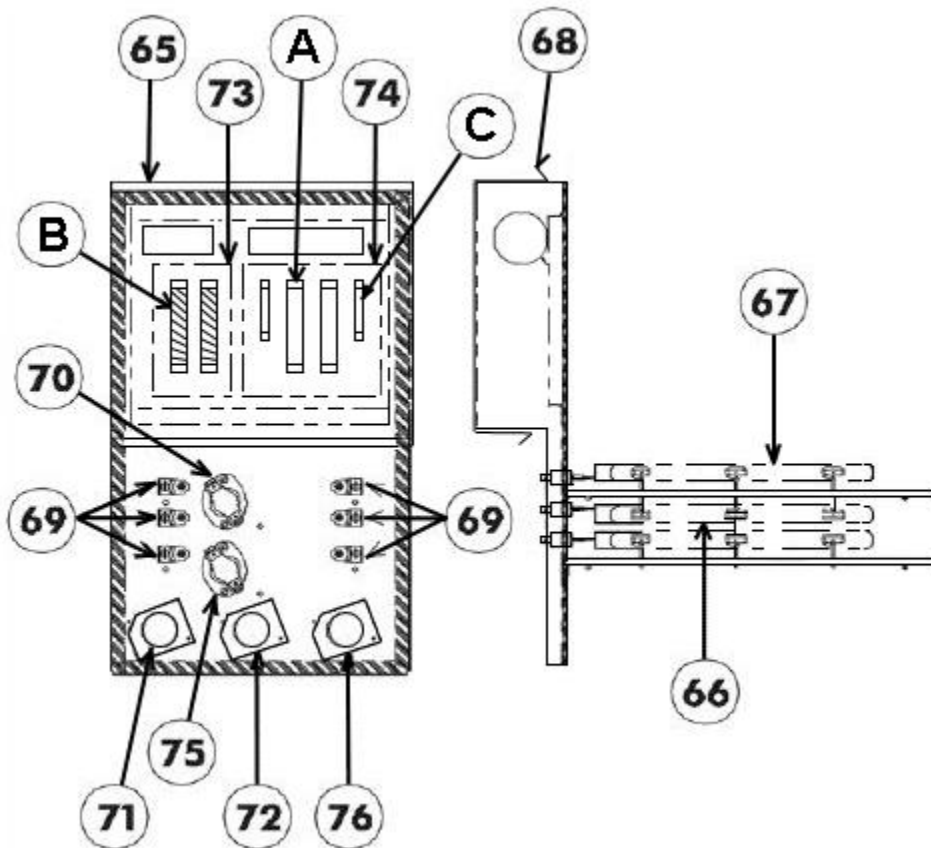
RXQJ-B15J

Parts List
01-June-2022

*This parts list is current as of the above revision date.
See <http://www.rheempartslists.net/92-42805-RXQJ-B15J.pdf> for the current revision.*

No.	Notes	Part Description	Part No.
		FOR UNITS WITH SERIAL NUMBER BEGINNING WITH PB OR PC, Before Date Code 1015:	
65		Base Plate	N/A
66		Heater Assembly	44-25261-05
67		Heater Assembly	44-25261-08
68		Cover	AE-25261-09
69		Terminal Block - Ceramic (6)	455133
70		Thermostat	47-25261-15
71		Time Delay Relay	42-25261-17
72		Time Delay Relay	42-25261-17
73		Fuse Block	45-25261-38
74		Fuse Block	45-25261-21
75		Thermostat	47-25261-16
76		Time Delay Relay	42-25261-19
A		Fuse (2)	442045
B		Time Delay Fuse (2)	442042
C		Fuse (2)	PD447382
		FOR UNITS WITH SERIAL NUMBER BEGINNING WITH PB OR PC, On or After Date Code 1015:	
65		Base Plate	NLA
66		Heater Assembly	44-25261-05
67		Heater Assembly	44-25266-14
68		Cover	AE-25261-09
69		Terminal Block - Ceramic (6)	455133
70		Thermostat	47-25261-15
71		Time Delay Relay	PD425120
72		Time Delay Relay	PD425120
73		Fuse Block	45-25261-22
74		Fuse Block	45-25261-21
75		Thermostat	47-25261-16
76		Time Delay Relay	PD425125
A		Fuse (2)	442045
B		Time Delay Fuse (2)	442042
C		Fuse (2)	PD447382
		FOR UNITS WITH SERIAL NUMBER BEGINNING WITH PN:	
		Relay/Sequencer (2-Pole) (2)	PD425078
		Relay/Sequencer (2-Pole)	425079
		Limit Control (3)	PD470040
		Circuit Breaker (30A) - 2 Pole	425094

No.	Notes	Part Description	Part No.
		Circuit Breaker (60A) - 2 Pole (2)	425097
		Jumper Bar - 6 Pole	PD455228
		Heater Frame Coil Assembly	Not Available
		Wiring Harness - 5 Wires	PD455226



Drawing of RXQJ B15J