

Accessories Heater Kits

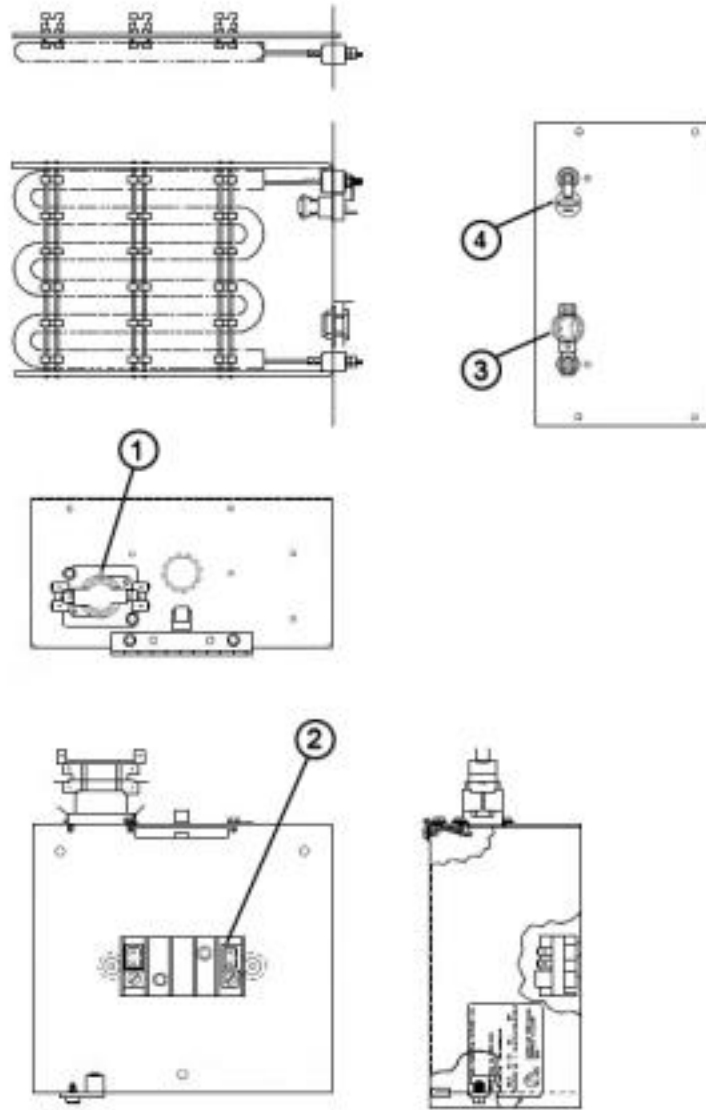


RXQJ-C05J

Parts List
01-June-2022

*This parts list is current as of the above revision date.
See <http://www.rheempartslists.net/92-42805-RXQJ-C05J.pdf> for the current revision.*

No.	Notes	Part Description	Part No.
		FOR UNITS WITH SERIAL NUMBER BEGINNING WITH PA or PD, Before Date Code 1015:	
1		Sequencer (1)	425072
2		Terminal Block	455128
3		Limit	425071
		FOR UNITS WITH SERIAL NUMBER BEGINNING WITH PA or PD, On or After Date Code 1015:	
1		Sequencer (1)	PD425126
2		Terminal Block	455128
3		Limit	425071
4		Thermal Fuse	PD447400
		FOR UNITS WITH SERIAL NUMBER BEGINNING WITH PN:	
		Sequencer (1) (Single Pole: HT 1-30, CT 30-60)	425077
		Terminal Block	PD455182
		Limit	470031



Drawing of RXQJ C05J